

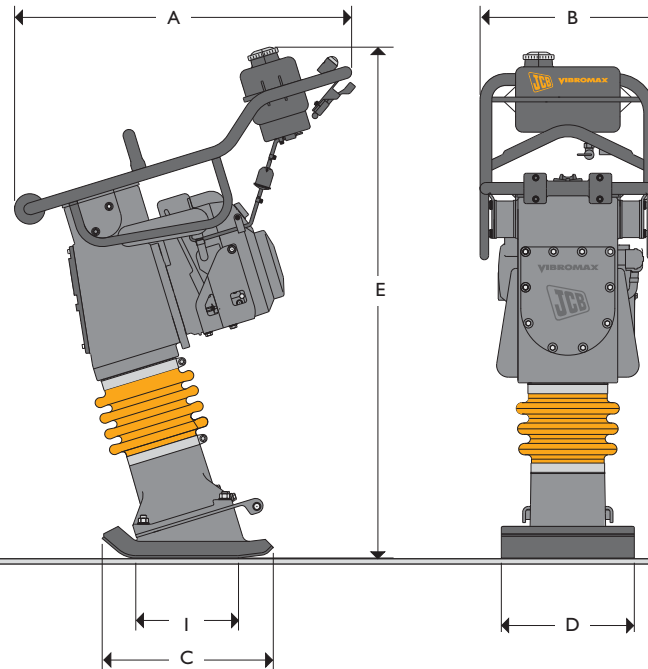


JCB VIBROMAX – COMPACTION EQUIPMENT

RAPID BLOW TAMPER VMR60



MAX. OPERATING WEIGHT: 60kg (132lb)



STATIC DIMENSIONS

Dimensions in millimetres (in)	
A Overall length	670 (26.4)
B Width	370 (14.6)
C Length of tampering foot	360 (14.2)
D Width	280 (11)
E Overall height	1000 (39.4)
I Contact length	216 (8.5)

OPERATING DATA

Operating weight	kg (lb)	60 (132)
Impact force	kN (lbf)	14 (3147)
Contact area	cm ² (in ²)	604.8 (94)
Impact force / Contact area	N/cm ² (lbf/in ²)	23.1 (33.5)
Number of blows	l/min (Hz)	739 (12.3)
Compaction depth	cm (in)	60 (24)
Operating speed, until	m/min (in/min)	20 (787)
Surface performance	m ² /h (yd ² /h)	350 (419)



JCB VIBROMAX – COMPACTION EQUIPMENT RAPID BLOW TAMPER VMR60



ENGINE

Single-cylinder, air-cooled four-stroke gasoline engine.

Make		Honda
Model		GX 100
Piston displacement	cm ³ (in ³)	98(6)
Performance – DIN 6271	kW (hp)	2.5 (3.4)
Operating speed	min ⁻¹ (rpm)	4500 (4500)
Starting device		Recoil starter
Air cleaner		Dry air cleaner
Fuel filter		Cartridge

SERVICE CAPACITIES

Fuel	litres (US gal)	2.7 (0.7)
Tamper (engine oil)	litres (US gal)	1.5 (0.4)
Engine (engine oil)	litres (US gal)	0.28 (0.07)

DRIVE

Gear and crankshaft with splash oil lubrication.

ENERGY ACCUMILATION

Double-spring packet.



JCB Vibromax Compaction Equipment GmbH, Schäferberg, 06466 Gatersleben, Germany. Tel: +49 (0) 39482.700. Fax: +49 (0) 39482.70102. Web: <http://www.jcbvibromax.de>

JCB Vibromax America Inc, 2823 Carlisle-Avenue, Racine, WI, 53404, USA. Tel: +1 262-637-8111. Fax: +1 262-637-8211.

JCB Vibromax Singapore, Representative Office, 72 Pasir Ris Heights, Singapore 519279. Tel: +65 6583 8297. Tel: +65 6583 8301.

JCB reserves the right to change specifications without notice. Illustrations shown may include optional equipment and accessories. The JCB logo is a registered trademark of J C Bamford Excavators Ltd.

Printed in the UK on paper made from sustainable forests.
The pulp used in the manufacture of this paper is made from renewable timber produced on a fully sustainable basis, and is bleached without the use of chlorine gas (ECF – Elemental Chlorine Free). This paper is suitable for recycling.



9999/5125 10/08 Issue 2

A Product
of Hard Work