



DOUBLE DRUM ROLLER | VMD70/VMD100

VMD70: Drum width: 650mm Operating weight: 740kg VMD100: Drum width: 750mm Operating weight: 920kg



**When you're in a tight spot...
trust the JCB VMD70 and VMD100
to get the job done**



Introducing the super-robust VMD70 and VMD100 compact walk-behind rollers. With best-in-class manoeuvrability, safety and serviceability, these are incredibly versatile machines, even in the tightest of spaces.

Fully hydrostatic for excellent traction and reliability, both machines offer the very best kerb clearance on the market, as well as being comfortable and easy to use. The combination of static weight, manoeuvrability, amplitude and high frequency makes the VMD70 and VMD100 clear market leaders when it comes to the most important thing: productivity.

The great-looking new models are available as manual or electric start and are a direct response to customer feedback on the previous range. They now boast a complete new machine layout which moves the engine to the front and the huge water tank to the rear, creating the near perfect 50/50 weight distribution so crucial for optimum results.

A vibration-isolated, ergonomic, tiltable guide bar makes lighter work of operating each machine, while single-point lift and simple tie-down points speed things up so you're not wasting time on non value-added work.

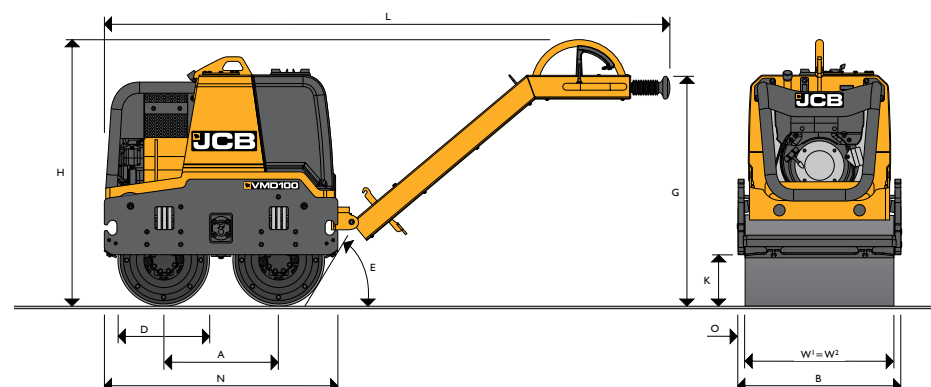
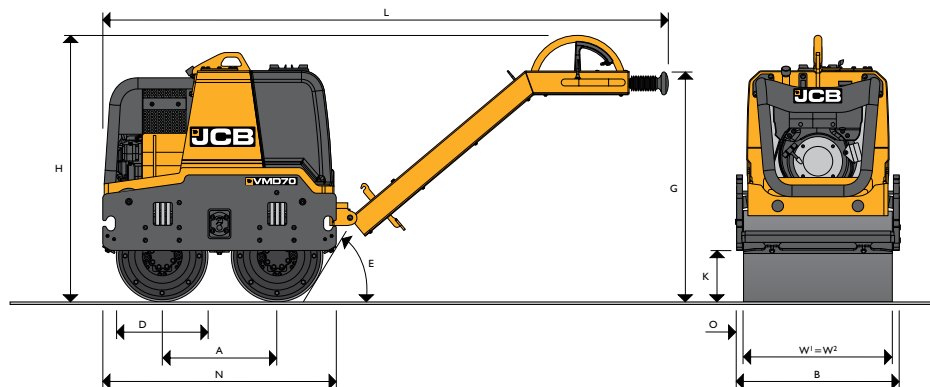
Meanwhile, safety is as paramount as ever, and the rollers' low noise levels are easier on operator and environment alike. Their improved crush-zone cut-out switch is easily accessible on the end of the control arm and needs to be manually reset if activated, making a real difference to site safety.

Finally, the VMD70 and VMD100 offer all the reliability you expect from JCB, with a simplified design that keeps maintenance costs down. We've also improved access to the components you need to check and service, making life easier and helping you stay up and running.





VMD70: DRUM WIDTH: 650mm (25.6in) OPERATING WEIGHT (CE): 740kg (1632lb) VMD100: DRUM WIDTH: 750mm (29.5in) OPERATING WEIGHT (CE): 920kg (2029lb)


STATIC DIMENSIONS

Dimensions in millimetres mm (in)		VMD70	VMD100
A	Wheelbase	500 (19.67)	
B	Overall width	710 (27.94)	840 (33.06)
D	Drum diameter	400 (15.74)	
G	Height of guide bar	1171 (46.10)	
H	Height to top of machine	1090 (42.90)	
K	Curb clearance	225 (8.85)	
L	Total travel length	2456 (96.70)	
N	Length of frame	1005 (39.60)	
O	Overhang	30 (1.18)	45 (1.77)
	Drum depth	10 (0.39)	
W1 = W2	Roller width	650 (25.6)	750 (29.51)
Ei	Departure angle	58°	

OPERATING DATA

		VMD70	VMD100
Operating weight (CECE)	kg (lb)	740 (1632)	920 (2029)
Operating axle load front/rear	kg (lb)	370 (815)	460 (1013)
Operating linear load front/rear	kg/cm (lb/in)	5.7 (12.5)	6.7 (13.5)
Exciter frequency	Hz (vpm)	60 (3600)	
Nominal amplitude	mm (in)	0.49 (0.020)	0.51 (0.021)
Centrifugal force	kN (lbf)	21.90 (4923)	27.10 (6092)
Centrifugal force / drum width	N/cm (lbf/in)	168.5 (96.30)	143.3 (81.9)
Travel speed forward / reverse	km/h (mph)	0 – 4/0 – 2.5 (0 – 2.5/0 – 1.55)	
Compaction depth up to	cm (in)	40 (15.7)	45 (17.3)
Compaction area (at 2 km/h)	m ² /h (yd ² /h)	1200 (1003)	
Gradeability up to	degrees (%)	21.8 (40)	
Tipping angle side	degrees (%)	30 (57)	

SERVICE CAPACITIES

		VMD70	VMD100
Fuel	litres (US gal)	5 (1.32)	
Engine oil (engine)	litres (US gal)	0.7/1.5 (0.74/1.59)	
Engine oil (exciter)	litres (US gal)	0.15 (0.04)	0.20 (0.05)
Hydraulic oil	litres (US gal)	34 (8.98)	
Sprinkler water	litres (US gal)	70 (18.48)	

ENGINE

Single-cylinder, air-cooled, four-stroke diesel engine.

Make	HATZ
Model	1B40
Piston displacement	cm ³ (in ³)
Performance – DIN 6271	kW (hp)
Operating speed	rpm
Starting device	Recoil start Option: electric starter
Air cleaner	Dry air cleaner, "air filter blocked" indicator as standard
Fuel filter	Cartridge, 2 filters

PROPULSION

Infinitely variable direct hydrostatic drive via drum motor on both drums.

EXCITER DRIVE

Hydrostatic drive.

EXCITER

Centrally mounted maintenance free single shaft circular exciter in the drum frame.

BRAKING SYSTEM

Service brake: Hydrostatic propulsion system.

Parking brake: Mechanical.

ELECTRICAL SYSTEM

Voltage	V	12
Battery capacity	Ah	45
Alternator	A	14V – 14A

STANDARD EQUIPMENT

Comfort & ease of use: vibration absorbing and ergonomic tiltable guide bar with dead man brake & recoil damper, low noise level, optimized weight distribution, comfortable pedal to unlock guide bar, large water tank filler cap for ease of cleaning, gravity fed water sprinkler system, engine protective frame with central lifting eye, heavy duty exciter bearings, 2 steel scrapers each drum. VMD70 as well as VMD100 comply to HAV and HBV regulations by CE.

Performance: high exciter frequency for fast rolling speeds, optimized static weight and amplitude set-up.

Efficiency: high curb clearance, large water tank volume to reduce refilling cost and downtime. Multigrade hydraulic oil HLP46.

OPTIONAL EQUIPMENT

Indicators and switches: Electric switch; oil drain kit; hour meter; tool kit; battery charging current; ignition switch buzzer.

ASPHALT COMPACTION OUTPUT (t/h)*

Structure	Wearing course	Binder course	Base course
Compacted layer thickness up to (mm)	20...50	50...100	100...150
VMD70 (t/h)	10...25	21...42	36...53
VMD100 (t/h)	12...29	25...49	42...63



ASPHALT COMPACTION OUTPUT (m³/h)*

Structure	Wearing course	Binder course	Base course
Compacted layer thickness up to (mm)	20...50	50...100	100...150
VMD70 (m³/h)	297	248	212
VMD100 (m³/h)	351	293	251



ASPHALT COMPACTION OUTPUT (m³/h)*

Structure	Wearing course	Binder course	Base course
Compacted layer thickness up to (mm)	20...50	50...100	100...150
VMD70 (m³/h)	4...11	9...19	16...24
VMD100 (m³/h)	5...13	11...22	19...28



SOIL COMPACTION OUTPUT (m³/h)*

Structure	Sand/gravel	Mixed soil	Clay/loam
Compacted layer thickness up to (mm)	200	180	100
VMD70 (m³/h)	26...51	23...47	13...26
VMD100 (m³/h)	31...61	28...55	15...31



***Assumption and notes:** Overlap of paths: 100mm. Working speed: 42 m/min (= 2.52 km/h). Compaction output speed: 75% of working speed (= 1.89 km). Compaction output: assumes 80% of maximum layer thickness stated in upper table. Number of passes are 3...6 (soil) and 3...7 (asphalt).



ONE COMPANY, OVER 300 MACHINES.

Your nearest JCB dealer

Double Drum Roller VMD70/VMD100

411/417 – Operating weight: 8,688kg / 9,425kg Gross rated power: 81kW (108hp) / 93kW (125hp)
 Full turn tipping load: 5,451kg / 6,042kg Standard shovel capacity: 1.4m³ / 1.6m³

JCB Sales Limited, Rocester, Staffordshire, United Kingdom ST14 5JP.

Tel: +44 (0)1889 590312 Email: salesinfo@jcb.com

Download the very latest information on this product range at: www.jcb.com

©2009 JCB Sales. All rights reserved. No part of this publication may be reproduced, stored in a retrieval system, or transmitted in any form or by any other means, electronic, mechanical, photocopying or otherwise, without prior permission from JCB Sales. All references in this publication to operating weights, sizes, capacities and other performance measurements are provided for guidance only and may vary dependant upon the exact specification of machine. They should not therefore be relied upon in relation to suitability for a particular application. Guidance and advice should always be sought from your JCB Dealer. JCB reserves the right to change specifications without notice. Illustrations and specifications shown may include optional equipment and accessories. The JCB logo is a registered trademark of J C Bamford Excavators Ltd.

